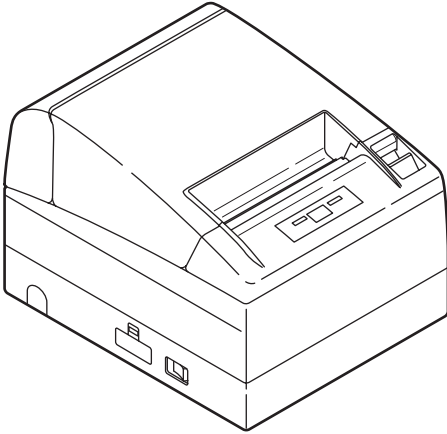


# **LINE THERMAL PRINTER**

## **MODEL CT-S4000/CT-S4000DC**

### **User's Manual**



**CITIZEN SYSTEMS JAPAN CO., LTD.**

# WEEE MARK

- En** If you want to dispose this product, do not mix with general household waste. There is a separate collection systems for used electronics products in accordance with legislation under the WEEE Directive (Directive 2002/96/EC) and is effective only within European Union.
- Ge** Wenn Sie dieses Produkt entsorgen wollen, dann tun Sie dies bitte nicht zusammen mit dem Haushaltsmüll. Es gibt im Rahmen der WEEE-Direktive innerhalb der Europäischen Union (Direktive 2002/96/EC) gesetzliche Bestimmungen für separate Sammelsysteme für gebrauchte elektronische Geräte und Produkte.
- Fr** Si vous souhaitez vous débarrasser de cet appareil, ne le mettez pas à la poubelle avec vos ordures ménagères. Il existe un système de récupération distinct pour les vieux appareils électroniques conformément à la législation WEEE sur le recyclage des déchets des équipements électriques et électroniques (Directive 2002/96/EC) qui est uniquement valable dans les pays de l'Union européenne.  
Les appareils et les machines électriques et électroniques contiennent souvent des matières dangereuses pour l'homme et l'environnement si vous les utilisez et vous vous en débarrassez de façon inappropriée.
- Sp** Si desea deshacerse de este producto, no lo mezcle con residuos domésticos de carácter general. Existe un sistema de recogida selectiva de aparatos electrónicos usados, según establece la legislación prevista por la Directiva 2002/96/CE sobre residuos de aparatos eléctricos y electrónicos (RAEE), vigente únicamente en la Unión Europea.
- It** Se desiderate gettare via questo prodotto, non mescolatelo ai rifiuti generici di casa. Esiste un sistema di raccolta separato per i prodotti elettronici usati in conformità alla legislazione RAEE (Direttiva 2002/96/CE), valida solo all'interno dell'Unione Europea.
- Du** Deponeer dit product niet bij het gewone huishoudelijk afval wanneer u het wilt verwijderen. Er bestaat ingevolge de WEEE-richtlijn (Richtlijn 2002/96/EG) een speciaal wettelijk voorgeschreven verzamelsysteem voor gebruikte elektronische producten, welk alleen geldt binnen de Europese Unie.
- Da** Hvis du vil skille dig af med dette produkt, må du ikke smide det ud sammen med dit almindelige husholdningsaffald. Der findes et separat indsamlingsssystem for udtjente elektroniske produkter i overensstemmelse med lovgivningen under WEEE-direktivet (direktiv 2002/96/EC), som kun er gældende i den Europæiske Union.
- Por** Se quiser deitar fora este produto, não o misture com o lixo comum. De acordo com a legislação que decorre da Directiva REEE – Resíduos de Equipamentos Eléctricos e Electrónicos (2002/96/CE), existe um sistema de recolha separado para os equipamentos electrónicos fora de uso, em vigor apenas na União Europeia.
- Pol** Jeżeli zamierzasz pozbyć się tego produktu, nie wyrzucaj go razem ze zwykłymi domowymi odpadkami. Według dyrektywy WEEE (Dyrektywa 2002/96/EC) obowiązującej w Unii Europejskiej dla używanych produktów elektronicznych należy stosować oddzielne sposoby utylizacji.



# Declaration of Conformity

This printer conforms to the following Standards:

Low Voltage Directive 73/23/EEC, 93/68/EEC and the EMC Directive 89/336/EEC, 92/31/EEC, 93/68/EEC.

LVD : EN60950-1

EMC : EN55022      Class A  
EN61000-3-2  
EN61000-3-3  
EN55024

This declaration is applied only for 230V model.

**IMPORTANT:** This equipment generates, uses, and can radiate radio frequency energy and if not installed and used in accordance with the instruction manual, may cause interference to radio communications. It has been tested and found to comply with the limits for a Class A computing device pursuant to Subpart J of Part 15 of FCC Rules, which are designed to provide reasonable protection against such interference when operated in a commercial environment. Operation of this equipment in a residential area is likely to cause interference, in which case the user at his own expense will be required to take whatever measures may be necessary to correct the interference.

**CAUTION: Use shielded cable for this equipment.**

## Sicherheitshinweis

Die Steckdose zum Anschluß dieses Druckers muß nahe dem Gerät angebracht und leicht zugänglich sein.

## For Uses in Canada

This Class A digital apparatus complies with Canadian ICES-003.

This digital apparatus does not exceed the class A limits for radio noise emissions from digital apparatus, as set out in the radio interference regulations of the Canadian department of communications.

## Pour L'utilisateurs Canadiens

Cet appareil numérique de la classe A est conforme à la norme NMB-003 du Canada. Cet appareil numérique ne dépasse pas les limites de catégorie a pour les émissions de bruit radio émanant d'appareils numériques, tel que prévu dans les règlements sur l'interférence radio du département Canadien des communications.

## GENERAL PRECAUTIONS

- Before using this product, be sure to read through this manual. After having read this manual, keep it in a safe, readily accessible place for future reference.
- The information contained herein is subject to change without prior notice.
- Reproduction or transfer of part or all of this document in any means is prohibited without permission from Citizen Systems.
- Note that Citizen Systems is not responsible for any operation results regardless of missing, error, or misprinting in this manual.
- Note that Citizen Systems is not responsible for any trouble caused as a result of using options or consumables that are not specified in this manual.
- Except explained elsewhere in this manual, do not attempt to service, disassemble, or repair this product.
- Note that Citizen Systems is not responsible for any damage attributable to incorrect operation/handling or improper operating environments that are not specified in this manual.
- Data is basically for temporary use and not stored for an extended period of time or permanently. Please note that Citizen Systems is not responsible for damage or lost profit resulting from the loss of data caused by accidents, repairs, tests or other occurrence.
- If you find loss of information, error, or uncertain matter, please contact your Citizen Systems dealer.
- If you find any disordered or missing page(s), contact your Citizen Systems dealer for replacement.

CITIZEN is a registered trade mark of CITIZEN WATCH CO., LTD., Japan  
CITIZEN es una marca registrada de CITIZEN WATCH CO., LTD., Japón  
Company names and product names in this manual are trademarks or  
registered trademarks of relevant companies.  
Copyright© 2006 by CITIZEN SYSTEMS JAPAN CO., LTD.

# SAFETY PRECAUTIONS ... WHICH SHOULD BE STRICTLY OBSERVED

Before using this product for the first time, carefully read these SAFETY PRECAUTIONS. Improper handling may result in accidents (fire, electric shock or injury).

In order to prevent injury to operators, third parties, or damage to property, special warning symbols are used in the User's Manual to indicate important items to be strictly observed.

- After having read this Manual, keep it in a safe, readily accessible place for future reference.
- Some of the descriptions contained in this manual may not be relevant to some printer models.

The following describes the degree of hazard and damage that could occur if the printer is improperly operated by ignoring the instructions indicated by the warning symbols.

## **WARNING**

Neglecting precautions indicated by this symbol may result in fatal or serious injury.

## **CAUTION**

Neglecting precautions indicated by this symbol may result in injury or damage to properties.



This symbol is used to alert your attention to important items.



This symbol is used to alert you to the danger of electric shock or electrostatic damage.



This symbol denotes a request to unplug the printer from the wall outlet.



This symbol is used to indicate useful information, such as procedures, instructions or the like.



This symbol is used to indicate prohibited actions.

# PRECAUTIONS ON PRINTER INSTALLATION

## WARNING

■ Do not use or store this product in a place where it will be exposed to:

- \* Flames or moist air.
- \* Direct sunlight.
- \* Hot airflow or radiation from a heating device.
- \* Salty air or corrosive gases.
- \* Ill-ventilated atmosphere.
- \* Chemical reactions in a laboratory.
- \* Airborne oil, steel particles, or dust.
- \* Static electricity or strong magnetic field.

• **Neglecting these warnings may result in printer failure, overheating, emission of smoke, fire, or electric shock.**



■ Do not drop any foreign object nor spill liquid into the printer. Do not place any object on the printer either.

■ Do not drop any metallic object such as paper clip, pin or screw into the printer.

■ Do not place a flower vase, pot or cup containing water on the printer.

■ Do not spill coffee, soft drinks or any other liquid into the printer.

■ Do not spray insecticide or any other chemical liquid over the printer.

• **A metallic foreign object, if accidentally dropped into the printer, may cause printer failure, fire, or electric shock. Should it occur, immediately turn the printer off, unplug it from the supply outlet, and call your local Citizen Systems dealer.**



Do not handle the printer in the following ways:

■ Do not allow the printer to sustain strong impacts or hard jolts (e.g., trampling, dropping, striking with a hard edge).

■ Never attempt to disassemble or modify the printer.

• **Neglecting to handle properly may result in printer failure, overheating, emission of smoke, fire, or electric shock.**



■ Install, use, or store the printer out of the reach of children.

• **Electric appliances could cause an unexpected injury or accident if they are handled or used improperly.**

• **Keep the power cord and signal cables out of the reach of children. Also children should not be allowed to gain access to any internal part of the printer.**

• **The plastic bag the printer came in must be disposed of properly or kept away from children. Wearing it over the head may lead to suffocation.**



# CAUTION

Do not use the printer under the following conditions.

- A state subject to vibration or unstable state.
- A state with this product slanted.
- **Otherwise dropping may cause injury.**
- **Poor print quality may occur.**
- A state where the printer ventilation holes are obstructed by a nearby wall or other equipment.
- A state where any object is placed on the printer
- A state where the printer is covered or wrapped by a cloth or bed clothing
- **Be careful about internal heat buildup, which could cause fire and deform the case.**
- Avoid using the printer near a radio or TV set or from supplying it from the same outlet as these appliances.
- Avoid using the printer interconnected with a cable or cord that has no protection against noise. (For interconnections, use shielded or a twisted pair of cables and ferrite cores, or other anti-noise devices.)
- Avoid using the printer with a device that is a strong source of noise.
- **The printer may have an adverse effect on nearby radio or TV transmissions. There may also be cases when nearby electrical appliances adversely influence the printer, causing data errors or malfunction.**
- A state where this product is installed sidelong.
- **Malfunction, failure, or electric shock may result.**



- Use the printer with its grounding post connected to a convenient grounding facility.
- **If leakage occurs electric shock may result.**
- Do not connect the printer's grounding post onto any of the following facilities:
  - \* Utility gas piping
    - **A gas explosion could result.**
  - \* Telephone line ground
  - \* Lightning rod
    - **If lightning strikes a large surge of current may cause fire or shock.**
  - \* Utility water pipes
    - **Plastic water pipes should not be used for grounding. (Those approved by a Waterworks Department may be used.)**
- Before connecting or disconnecting the grounding lead to or from the printer, always unplug it from supply outlet.



# PRECAUTIONS IN HANDLING THE PRINTER

## WARNING

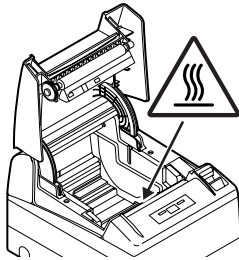
Please observe the following precautions for power source and power cord:

- Do not plug or unplug the power cord with a wet hand.
- Use the printer only at the specified supply voltage and frequency.
- Check to make sure that the supply outlet from which the printer is powered has a sufficient capacity.
- Do not supply the printer from a power strip or current tap shared with other appliances.
- Do not plug the power cord into a supply outlet with dust or debris left on its plug.
- Do not use a deformed or damaged power cord.
- Do not move the printer while the printer power is on.
- **Neglecting to handle properly may result in printer failure, emission of smoke, fire, or electric shock.**
- **An overload may cause the power cord to overheat or fire or the circuit breaker to trip.**
- Do not allow anything to rest on the power cord. Do not place the printer where the power cord will be trampled on.
- Do not use or carry the printer with its power cord bent, twisted, or pulled.
- Do not attempt to modify the power cord unnecessarily.
- Do not lay the power cord in the neighbor of a heating device.
- **Neglecting these cautions may cause wires or insulation to break, which could result in leakage, electric shock, or printer failure. If the power cord sustains damage, contact your Citizen Systems dealer.**
- Do not leave things around the supply outlet.
- Supply power to the printer from a convenient wall outlet, readily accessible in an emergency.
- **The printer may not be immediately shut down in an emergency.**
- Insert the power plug fully into the outlet.
- If the printer will not be used for a long time, leave it disconnected from its supply outlet.
- Hold the plug and connector when plugging or unplugging the power cord or signal cable after turning off the printer and the appliance connected to it.



## CAUTION

Caution label is attached on the position shown in the following figure. Carefully read the precautions in handling before using the printer.

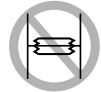


**THIS LABEL INDICATES THE RISK OF ANY INJURY DUE TO "HIGH TEMPERATURE" OF THE PRINT HEAD.**

- Do not transport this printer with the paper roll inside.
- **Printer failure or breakage may occur.**

To prevent possible malfunction or failure observe the following.

- Avoid operating the printer without paper properly loaded.
- Avoid the use of paper not complying with specifications.
- **May result in poor print quality.**
- Avoid using torn pieces of paper or spliced with plastic adhesive tapes.
- Avoid forcibly pulling already loaded paper by hand.
- Avoid wedging the paper into the printer.
- **May jam paper. To release, refer to "Removing Jammed Paper" in this manual.**
- Avoid using a sharp pointed device to operate panel keys.



- Be sure to firmly insert the cable plug into its mating socket.
- **A cross connection may damage the printer's internal electronics or the host system's hardware.**
- Only use the printer with devices that have designated solenoid specifications for the cash drawer interface connector.
- **Neglecting this caution may result in malfunction or failure.**



## CAUTION

To prevent injury and printer failures from worsening, observe the following:

- Do not touch the printing surface of the thermal head.
- Do not touch any of the moving parts (e.g., paper cutter, gears, active electrical parts) while the printer is working.
- In case of trouble do not attempt to repair the printer. Ask Citizen Systems service for repair.
- Be careful that the printer cover does not entrap your hands or fingers.
- Be careful with sharp edges on the printer. Do not allow them to injure you or damage property.
- **May result in electric shock, burn, or injury.**



**If the printer emits smoke, an odd smell, or unusual noise while printing, immediately abort the current print session and unplug the printer from the supply outlet.**

## DAILY MAINTENANCE

Observe the following precautions for daily maintenance.

- When cleaning the printer, always turn it off and unplug it from the supply outlet.
- Use a soft, dry cloth for cleaning the surface of the printer case.
- For severe stains, use a soft cloth slightly dampened with water.
- Never use organic cleaning solvent such as alcohol, paint thinner, trichloroethylene, benzene, or ketone. Never use a chemically processed cleaning cloth.
- To remove paper dust, use a soft brush.



## CAUTION

- **The thermal head is at a dangerously high temperature immediately after printing. Allow it to cool off before launching maintenance work.**

# THE TABLE OF CONTENTS

---

- 1. GENERAL OUTLINE ..... 9**
  - 1.1 Features ..... 9
  - 1.2 Unpacking ..... 10
  - 1.3 Model Classification ..... 10
  - 1.4 Basic Specifications ..... 11
- 2. EXPLANATION OF PRINTER PARTS ..... 12**
  - 2.1 Printer Appearance ..... 12
  - 2.2 Printer Cover Inside ..... 14
  - 2.3 Other Built-in Functions ..... 14
- 3. PREPARATION ..... 15**
  - 3.1 Connecting the AC Power Cord ..... 15
  - 3.2 Connecting Interface Cables ..... 16
  - 3.3 Connecting the Cash Drawer ..... 17
  - 3.4 Installing the Printer ..... 18
  - 3.5 Partition for Paper Roll ..... 18
  - 3.6 Setting DIP Switch ..... 19
  - 3.7 Adjusting the Paper Near-end Sensor ..... 20
- 4. MAINTENANCE AND TROUBLESHOOTING ..... 21**
  - 4.1 Setting/Replacing the Paper Roll ..... 21
  - 4.2 Removing Jammed Paper ..... 21
  - 4.3 Cleaning the Print Head ..... 22
  - 4.4 Self-printing ..... 23
  - 4.5 Hexadecimal Dump Printing ..... 23
  - 4.6 Error Indication ..... 24
  - 4.7 When the Paper Cover Cannot Be Opened ..... 24
- 5. OTHER ..... 25**
  - 5.1 External Views and Dimensions ..... 25
  - 5.2 Printing Paper ..... 25
  - 5.3 Manual Setting of Memory Switch ..... 26

# 1. GENERAL OUTLINE

The CT-S4000/4000DC are thermal line printers designed for use with a broad array of terminal equipment including data, POS, and kitchen terminals. With extensive features, they can be used in a wide range of applications.

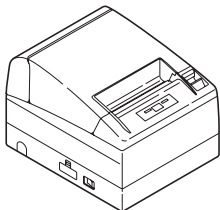
## 1.1 Features

- Drop-in paper loading mechanism facilitating easy paper handling and head cleaning.
- High speed (150 mm/s) printing.
- Versatile roll capacity with ability to use 80 mm, 82.5 mm and 112 mm wide paper rolls.
- Can use paper roll with a maximum of 102 mm diameter.
- Equipped with USB interface as standard plus a choice of either a serial or parallel interface.
- Replaceable interface board.
- High-speed parallel interface (Parallel interface model)
- Built-in cash drawer interface.
- Auto cutter mechanism provided as a standard.
- User customization such as memory switch setting are available.
- Page mode
- Registration of user-defined characters and logos into flash memory.
- Barcode printing
- 2-color printing is supported (When specified paper is used).
- Error indication is available with LED or buzzer.
- Can be installed on a wall by using the optional wall mounting kit.

## 1.2 Unpacking

When unpacking the printer, confirm that the following are provided:

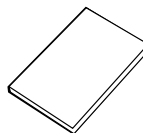
- Printer: 1
- AC power cord : 1
- User's manual (This manual): 1
- Sample paper roll: 1 roll
- Partition: 1
- Screw: 1



CT-S4000



AC power cord



User's manual  
(This manual)



Sample paper roll



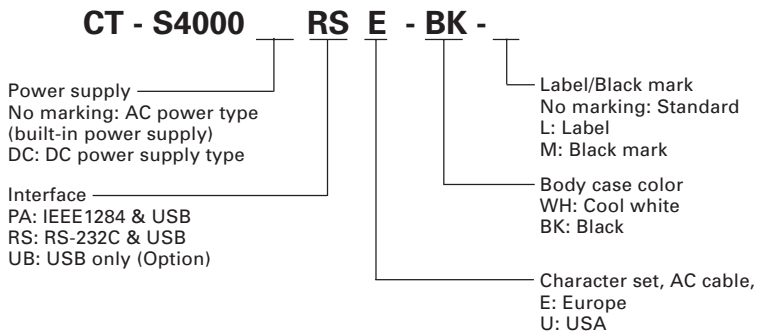
Partition



Screw

## 1.3 Model Classification

The printer models are classified by the following designation method:



## 1.4 Basic Specifications

Item	Specifications				
Model	CT-S4000 PA, CT-S4000 RS, CT-S4000DC PA, CT-S4000DC RS				
Print method	Line thermal dot print method				
Print width *1	112 mm/832 dots, 82.5 mm/660 dots, 80 mm/576 dots				
Dot density	8 dots/mm (203 dpi) in horizontal & vertical				
Print speed	150 mm/s (Fastest, print density 100 %), 1200 dot lines/s				
Number of print columns *2	—	Number of print columns (columns)			Dot configuration (Dot)
	Paper width	112mm	82.5mm	80mm	
	Font				
	Font A	69	55	48	12 × 24
	Font B	92	73	64	9 × 24
	Font C	104	82	72	8 × 16
Character size *3	Font A: 1.50 × 3.00 mm Font B: 1.13 × 3.00 mm Font C: 1.00 × 2.00 mm				
Character type	Alphanumeric, International, PC437 PC850/852/857/858/860/863/864/865/866/WPC1252/Katakana/Thai code 18				
User memory	384 KB (Capable of registering user-defined characters and logos)				
Types of bar code	UPC-A/E, JAN (EAN) 13/8 columns, ITF, CODE 39, CODE 128, CODABAR, CODE 93				
Line spacing *4	4.23 mm (1/6 inch)				
Paper roll	Thermal paper roll: 112 <sub>0</sub> mm/82.5 <sub>0</sub> mm/80 <sub>0</sub> mm × Maximum φ102 mm Paper thickness: 65-150 μm				
Interfacing	Serial (RS-232C compliant), Parallel (IEEE 1284 compliant), USB				
Cash drawer interface	2 cash drawers are supported.				
Input buffer	4K bytes/45 bytes (selectable) in Serial or Parallel interface, 16K bytes in USB interface				
Supply voltage	AC 100-240V				
Power consumption	Approx. XXW (in normal printing)				
Weight	Approx. 2.3 Kg for CT-S4000, Approx. 2.0 Kg for CT-S4000DC				
Outside dimensions	177 (W) × 213 (D) × 147 (H) mm				
Operating temperature and humidity	5 to 45°C, 10 to 90% RH (No condensation)				
Storage temperature and humidity	-20 to 60°C, 10 to 90% RH (No condensation)				
Reliability	Print head life: 100 km, 1 × 10 <sup>8</sup> pulses (At normal temperature/humidity with recommended paper used) Auto cutter life: 1 million cuts (At normal temperature/humidity with recommended paper used)				
Safety standard	UL, C-UL, FCC Class A, TÜV-GS, CE Marking				

### Notes:

\*1: When paper width is 112, 82.5, 80 mm

\*2: The number of printable columns are selectable with a Memory Switch.

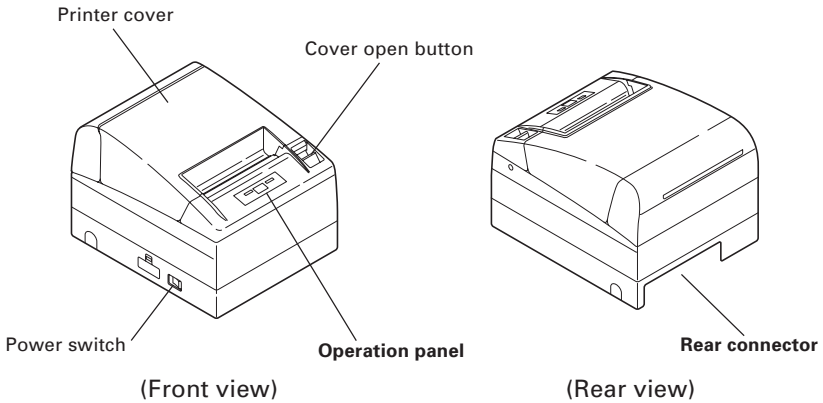
The number of columns in this table refers to typical model. Printer varies partly in the number of columns depending on printer specifications.

\*3: As each character size includes the space inside the character font, actual character looks smaller.

\*4: The line spacing is selectable with a command or Memory Switch. When the printer is turned on, it will be selecte with the memory switch.

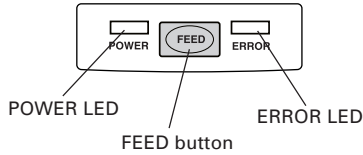
## 2. EXPLANATION OF PRINTER PARTS

### 2.1 Printer Appearance



- **Printer cover**  
Paper is loaded under this cover.
- **Cover open button**  
To refill or replace paper, open the printer cover by pulling the cover open button forward.
- **Power switch**  
This switch turns the printer power ON/OFF.

## Operation Panel



### ● POWER LED

Illuminated when the printer power is on and off when the printer power is off. May blink or light in a special mode or in case of failure.

### ● ERROR LED

Illuminated or blinks when paper is empty or in case of failure. The interval length of blinking represents the type of error.

### ● FEED button

Pressing this button once causes the paper to feed one line. The longer the button is pressed, the more paper is fed. Pressing this button causes the paper to feed to the next Black Mark position in Black Mark mode.



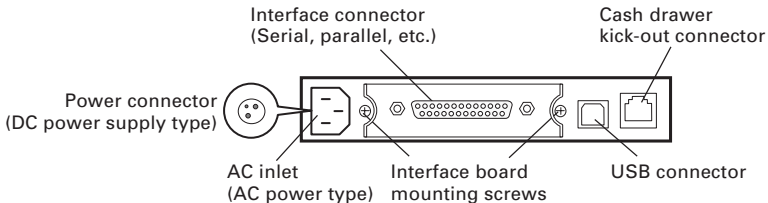
See 5.3 Manual Setting of Memory Switch

In case of auto cutter error, press the FEED button after removing the cause of the error.



See 4.6 Error Indication

## Rear Connectors



### ● Interface connector (Serial, parallel, etc.)

Connects to the interface cable. A DIP switch is provided on the serial interface board.

### ● Cash drawer kick-out connector

Connects to the cable from the cash drawer.

### ● AC inlet (AC power type)

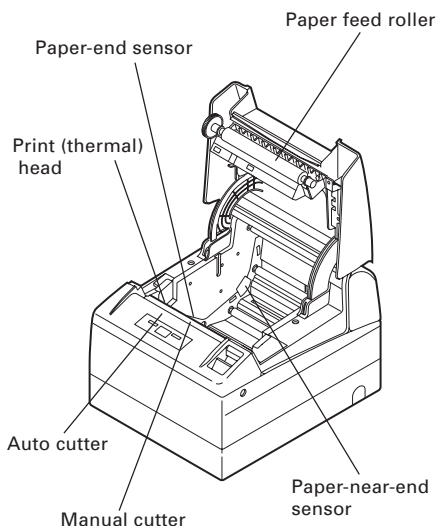
Connects to AC power cord

### ● Power connector (DC power supply type)


Connects to the cable from a cash register.

## 2.2 Printer Cover Inside

- Paper feed roller  
Feeds paper as part of print mechanism.
- Paper-near-end sensor  
Detects near paper end, change position in accordance with the outer diameter of paper core.
- Auto cutter  
Cuts the paper with a command at the end of printing. Cutting method is selectable between partial cut and full cut with a command.  
\* Factory default of the memory SW4-8 is set to "Partial cut", so that a command will be ignored.
- Manual cutter  
Tears the paper by hand.
- Print (thermal) head  
Prints characters and/or graphic data on thermal paper.
- Paper-end sensor  
Stops printing when this sensor detects paper end.



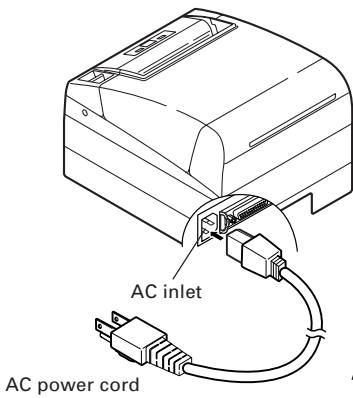
## 2.3 Other Built-in Functions

- Buzzer  
This printer has a built-in buzzer. It is operated in case of an error, operation, or by a command.
-  See 4.6 Error Indication
- User memory  
Allows downloading of user-defined characters and logo data in the nonvolatile memory. This data remains stored even after the printer power is off. For the registration method, refer to Command Reference Manual in separate document. To acquire the Command Reference Manual, contact your Citizen Systems dealer.
  - Memory switch  
Setting of various kinds of functions can be stored in nonvolatile memory. The functions are valid even if the printer power is turned off.

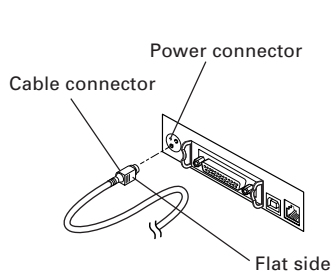
# 3. PREPARATION

## 3.1 Connecting the AC Power Cord

1. Turn off the printer power switch.
2. For AC power type (with built-in power supply), connect the AC power cord to the AC inlet at the back of the printer and plug the AC power cord into the wall outlet.



AC power type  
(built-in power supply)



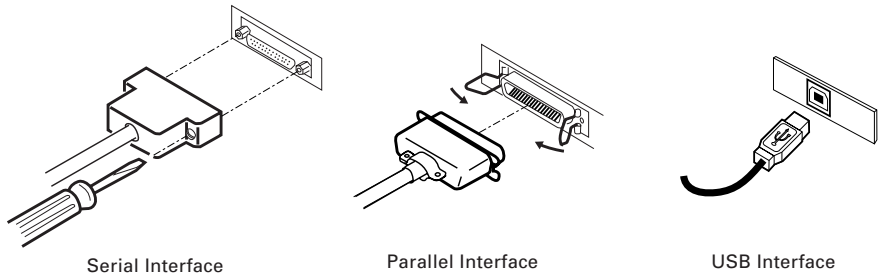
DC power supply type

### CAUTION!

- When disconnecting a cable, DO NOT pull out by the cable. Always hold the plug.
- Always keep the printer away from other noise generating equipment.
- DO NOT pull the AC power cord. Otherwise fire, electric shock, or power disconnection may result.
- If lightning is approaching, unplug the AC power cord from the wall outlet. Otherwise fire or electric shock may result.
- Keep the power cord away from heat generating appliances. Otherwise the shield of power cord may be fused resulting in a fire or electric shock.
- If the printer will not be used for a long time, leave it disconnected from its supply outlet.
- Avoid locating the AC power cord in places which may cause tripping or falling.

## 3.2 Connecting Interface Cables

Confirm that the power switch is OFF and connect the interface cable. Orient the interface cable terminal correctly and insert it into the interface connector.

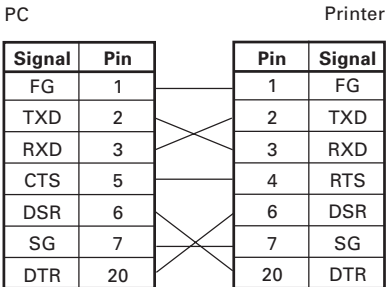


### CAUTION!

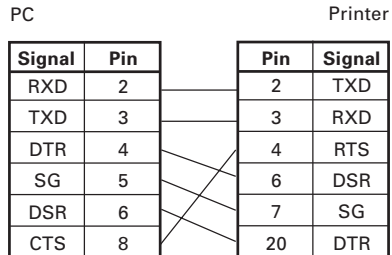
- When disconnecting the cable, always hold the connector.
- Be careful not to insert the USB interface cable into the cash drawer kick-out connector.

For serial interface cable, use the one with the following connection.

25-pin - 25-pin cable



9-pin - 25-pin cable

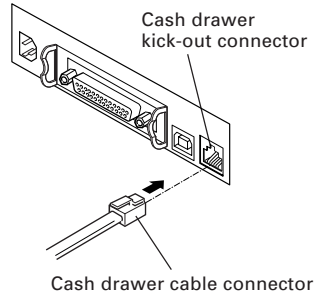


### CAUTION!

Avoid locating the interface cable in places which may cause tripping or falling.

## 3.3 Connecting the Cash Drawer

1. Confirm that the power switch is OFF.
2. Confirm the top and bottom of the cash drawer cable connector and insert it into the cash drawer kick-out connector at the back of the printer.
3. Screw the cash drawer's ground wire to the body of the printer.



### CAUTION!

DO NOT connect any other device than the specified cash drawer to the cash drawer kick-out connector. (Also DO NOT connect a telephone line.)

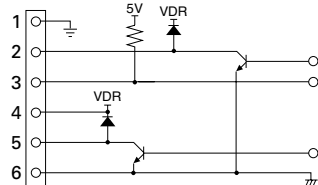
- (1) Connector Pin Configuration
- (2) Electrical characteristics
  - 1) Driving voltage: 24 VDC

No.	Signal	Function
1	FG	Frame Ground
2	DRAWER 1	Drawer 1 drive signal
3	DRSW	Drawer switch input
4	VDR	Drawer drive power supply
5	DRAWER 2	Drawer 2 drive signal
6	GND	Common ground on circuits



Connector used:  
TM5RJ3-66 (Hirose)  
or equivalent  
Applicable connector:  
TM3P-66P (Hirose) or  
equivalent

- 2) Driving current: Approx. 1A max. (shall not exceed 510 ms.)
- 3) DRSW signal: Signal levels: "L" = 0 to 0.5 V, "H" = 3 to 5 V
- (3) DRSW signal  
DRSW signal status can be tested with the DLE+EOT, GS+a, or GS+r command or at pin 34 on the parallel interface port.
- (4) Drive Circuit (printer side)



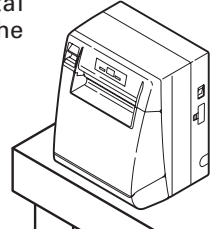
### CAUTION!

- No output is produced while printing.
- The cash drawers 1 and 2 cannot be driven simultaneously.
- A solenoid used for the cash drawer should be of 24 Ω or more. The output current should be kept at 1A or less; otherwise, breakdown or burning could occur.

## 3.4 Installing the Printer

The printer can be installed horizontally, vertically, and on the wall. At the time of shipment, the printer is set for horizontal installation. To install the printer vertically or on the wall, the following adjustments are required.

1. Adjustment of paper near-end sensor position (See section 3.7)
2. Anti-slip rubber feet (for vertical setting)
3. Optional wall-mounting kit (for wall-mounting)



Vertical position

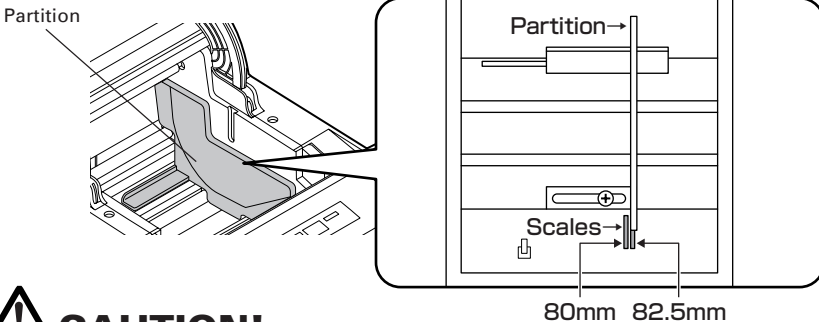
### CAUTION!

- When used in vertical position, the printer ejects paper not to fall naturally even with full cutting. Be careful in using the printer built in equipment, etc.
- Ensure that the wall on which the printer is mounted has enough strength before installation.
- When using in horizontal setting, avoid cutting full. Otherwise, the cut paper may drop into the cutter and may result in double cutting and narrow pieces of paper. This may cause paper jam.

## 3.5 Partition for Paper Roll

At the time of shipment, this partition is not installed.

1. Confirm that the power switch is OFF.
2. Open the printer cover.
3. Insert the partition into the slot and align it with the scale inside of the printer which meets the width of the paper roll used. When using the 80mm or 82.5mm wide paper roll, set the partition by using the accessory screw.
4. Change the setting of paper width by referring to the section 5.2, "Manual Setting of Memory Switch".



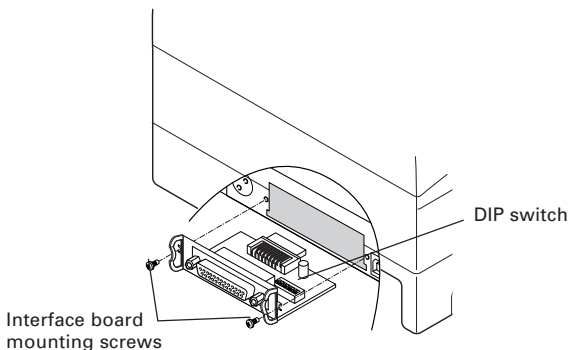
### CAUTION!

When using 112 paper roll, the partition is not used.

## 3.6 Setting DIP Switch

The DIP switch is present on the serial interface board.

Remove the board fixing screws, take out the interface board, and then set the DIP switch. The function of each switch is as shown below.



### CAUTION!

- When setting the DIP switch, DO NOT remove screws other than those for mounting the serial interface board.
- When the serial interface board is removed, turn off the printer power switch.

Switch No.	Function	ON	OFF	Initial Settings
1	Communication condition setting method	DIP switch setting	Memory switch setting	OFF
2	Hand shake	XON/XOFF	DTR/DSR	OFF
3	Bit length	7 bits	8 bits	OFF
4	Parity check	With parity	None	OFF
5	Parity selection	Even parity	Odd parity	OFF
6	Baud rate selection	See Table below.		ON
7				ON
8	INIT	Reset	Invalid	OFF

### Selecting baud rate

Baud Rate (bps)	Switch No.	
	6	7
2400	OFF	OFF
4800	ON	OFF
9600	OFF	ON
19200	ON	ON

38400, 57600 and 115200 bps can also be selected by a command, etc.

## 3.7 Adjusting the Paper Near-end Sensor

1. Lightly push in the paper near-end sensor unit.
2. Move the paper near-end sensor unit to the right and left while keeping to press it. The position to be set varies in accordance with the setting of the printer, horizontal or vertical, or diameter of the paper roll as shown in the following figure.

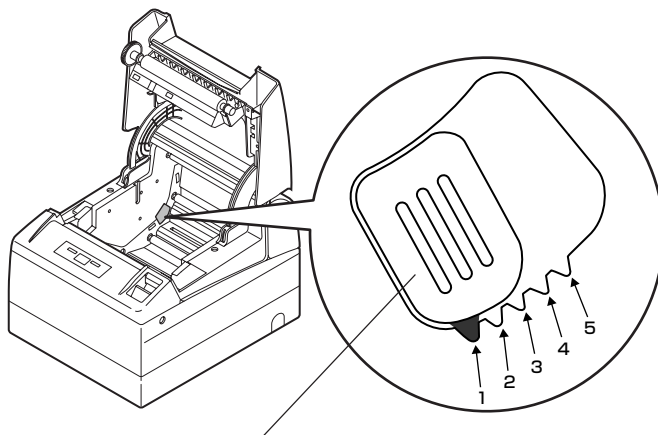
	Sensor Position	Roll paper diameter at the detection of near-end	Outer core diameter of roll paper used
Horizontal	**1	φ21.0	φ18.0
	*2	φ24.5	φ21.5
	3	φ28.0	φ25.5
	4	φ31.5	φ28.0
	5	φ35.0	φ32.0
Vertical	**5	φ21.0	φ18.0
	*4	φ24.5	φ21.5
	3	φ28.0	φ25.5
	2	φ31.5	φ28.0
	1	φ35.0	φ32.0

\* Factory setting for USA version

\*\* Factory setting for other country version

### CAUTION!

- Paper remaining differs by the type of paper roll used.
- The external diameter of the paper roll is only for reference.
- When a paper end error is detected incorrectly during using a paper roll with a honey-comb type core, move the sensor position to the larger number.

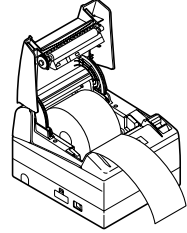


Paper-near-end sensor unit

## 4. MAINTENANCE AND TROUBLESHOOTING

### 4.1 Setting/Replacing the paper roll

1. Pull the cover open button forward.
2. Open the printer cover.
3. Insert a paper roll with its print area facing down as shown in the figure and pull out the paper end straightforward several cm (or inches) out of the printer.
4. Firmly close the printer cover until a click can be heard.



See 5.3 Manual Setting of Memory Switch



#### CAUTION!

- Always use the specified types of paper roll.
- Confirm that the paper roll is set correctly.
- When the paper is skewed and not extended straightforward from under the printer cover, open the printer cover and adjust the paper correctly.
- When the printer cover is opened after setting the paper, be sure to pull the paper straightforward several cm (or inches) out of the printer, and then close the printer cover.
- When closing the printer cover, press on the center part of the cover to close it firmly.
- When setting paper, be careful not to have your finger injured by the manual cutter or paper edge.
- In the case of selecting "Valid" with memory SW4-3, the paper is fed and cut automatically when the printer cover is closed.



#### WARNING

When opening the printer cover, DO NOT touch the print head or cutter blade. Otherwise, burning or injury of hand may result.

### 4.2 Removing Jammed Paper

1. Turn the printer power off.
2. Open the printer cover.  
If the cutter blade remains protruded with paper jammed, do not force the printer cover to open. Referring to the section 4.7, restore the blade to the normal position and then open the cover.
3. Remove the jammed paper including any remaining paper shreds.
4. Turn on the printer. The auto cutter mechanism is initialized and the alarm is cleared.

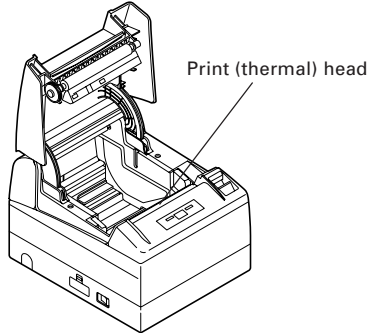


#### CAUTION!

- If the cutter blade remains protruded with paper jammed, DO NOT open the printer cover forcibly and try to turn OFF and ON the printer power. If the cutter blade cannot be restored, refer to the section 4.7.
- The print head is hot immediately after printing. DO NOT touch it with your hand. DO NOT touch the heating element of the head with a bare hand or metal object either.

## 4.3 Cleaning the Print Head

1. Turn the printer power off.
2. Open the printer cover.
3. Wait several minutes. Wipe off any debris on the heating element of the head using a cotton swab soaked in ethyl alcohol.



### CAUTION!

The print head is hot immediately after printing. DO NOT touch it with your hand. DO NOT touch the heating element of the head with a bare hand or metal object either.

## 4.4 Self-printing

Insert paper into the printer. With the FEED button pressed and held, turn the printer power on, keep the FEED button held for about 1 second, and then release the FEED button. The printer starts self-printing. The printer prints model name, version, DIP switch setting, memory switch setting, and built-in fonts.

CT-S4000		
ROM VERSION : ROM DATE : XXXX-XXXX	} Firmware version	
Serial Interface	} Interface	
Baud rate : 19200 bps Data bit : 8 bits Parity : None Handshaking : DTR/DSR	} Serial communication condition (Only serial interface model)	
Buffer Size 4K Bytes	} Buffer size	
Dip switches DS1 1 2 3 4 5 6 7 8 ON 0 0 0 0 0 0 OFF 0 0 0 0 0 0	} DIP switch setting (Only serial interface model)	
Memory switches		} Memory switch setting
SW1 1 2 3 4 5 6 7 8 ON OFF 0 0 0 0 0 0 0 0		
SW2 1 2 3 4 5 6 7 8 ON 0 0 0 OFF 0 0 0 0 0 0		
SW3 1 2 3 4 5 6 7 8 ON OFF 0 0 0 0 0 0 0 0		
SW4 1 2 3 4 5 6 7 8 ON OFF 0 0 0 0 0 0 0 0		

## 4.5 Hexadecimal Dump Printing

This function is to print all received data in hexadecimal numbers. If problems such as missing data, data duplication, etc. should occur, this function allows checking whether or not the printer is receiving data correctly.

Load the paper into the printer and keep the printer cover open. With the FEED button pressed and held, turn the printer power on and then close the printer cover. The printer prints "HEX dump print mode" followed by the received data printed in hexadecimal numbers and some characters.



### CAUTION!

- The printer prints "." if there is no characters corresponding to data.
- During hexadecimal dump, functions except some command will be disabled.
- If print data DOES NOT cover a line, press the FEED button to print the line.

When you press the FEED button three times consecutively, or you turn the printer power off, or the printer receives a reset signal from the interface, the hexadecimal dump printing is terminated.

Print example

```
HEX DUMP PRINT MODE
1B 21 00 1B 20 04 41 42 43 44  !.. .ABCD
45 46 47 48 49 4A 4B 4C 4D 4E  EFGHIJKLMN
4F 50 0D 0A 31 32 33 0D 0A    OP..123..
```

## 4.6 Error Indication

- Paper end  
Paper out is detected in two steps: paper near-end and paper end. ERROR LED will light when the paper is empty. If paper end is detected, refill the paper. If the printer cover is open, a paper-end is detected.
- Printer cover open  
During printing, do not open the printer cover. If you open the printer cover accidentally, the ERROR LED blinks. Check the paper, pull the paper straightforward several cm (or inches) out of the printer, and then close the printer cover. Printing resumes automatically. Sending a command to resume printing may be required depending on the memory switch setting.
- Thermal head overheat  
When you print dense characters or dark image, the head temperature rises. If the head temperature exceeds a specified level, the printer stops printing operation and waits till the head temperature is lowered. During waiting, the ERROR LED blinks. When the head temperature is lowered, printing resumes automatically.
- Cutter lock  
If the cutter blade stops operating due to paper jam or the like, the ERROR LED blinks. Remove the cause of the trouble and press the FEED button. If the blade still does not move and the printer cover cannot be opened, refer to the section 4.7.

● **Black Mark detection error (in Black Mark mode)**

When Black Mark cannot be detected even if a certain amount of paper feed is carried out for Black mark detection, a Black Mark detection error occurs. If black detection continues more than the specified period, a No Paper condition is assumed and the same error as No Paper is indicated.

Lighting and blinking status of each error including the above is shown below.

Status	POWER LED	ERROR LED	Buzzer
Paper-end	Lights	Lights	
Paper near-end	Lights	Lights	—
Printer cover open	Lights	Lights	—
Printer cover open error *1	Lights		
Cutter lock error	Lights		
Head overheat error	Lights		—
Motor overheat error	Lights		—
Memory check error		Lights	—
Low voltage error	Lights		—
High voltage error	Lights		—
Macro execution wait *2	Lights		—
Black Mark detection error	Lights		

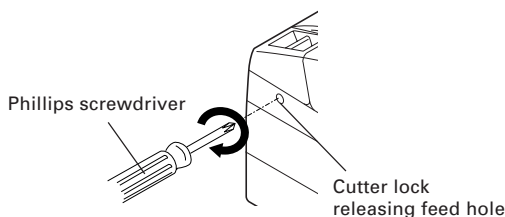
\*1: When the printer is printing.

\*2: The ERROR LED may blink even in the execution of macro function.

## 4.7 When the Paper Cover Cannot Be Opened

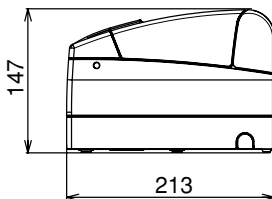
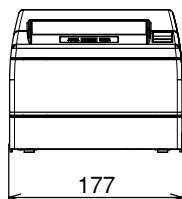
If the cutter blade remains protruded due to paper jam or for any abnormality, opening the paper cover may be disabled. In this case, do not open the paper cover forcibly. Insert a Phillips screwdriver (size #1) into the cutter lock releasing feed hole and turn it in the direction of arrow (clockwise).

When you find that both ends of the blade reached the lowest position, stop turning the screwdriver. Open the cover and follow the procedure of removing jam or other cause of trouble.



## 5. OTHER

### 5.1 External Views and Dimensions

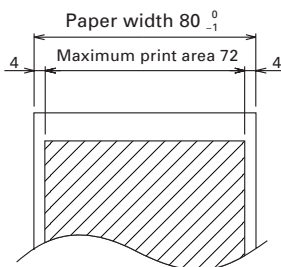
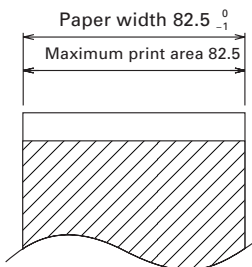
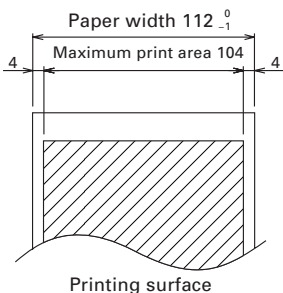


(Unit: mm)

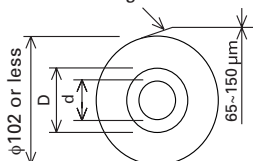
### 5.2 Printing Paper

Use the print paper shown in the following table or the paper with equivalent quality.

Paper Type	Product Name
Recommended thermal paper roll	TF50KS-E2D from Nippon Paper PD150R, PD160R from Ohji Paper PA220AG, HP220A, HP220AB-1, F230AA, P220AB, P220AE-1 from Mitsubishi Paper



(Unit: mm)



Paper thickness ( $\mu\text{m}$ )	65-75	75-150
Core inner diameter $d$ (mm)	$\phi 12$	$\phi 25.4$
Core outer diameter $D$ (mm)	$\phi 18$	$\phi 32$

### CAUTION!

DO NOT use the following type of paper roll.

- Paper with folds.
- Paper with bent corners.
- Paper pasted or glued to the core.
- In-wound paper roll (print side in).

## 5.3 Manual Setting of Memory Switch

Memory switches can be set manually or by a command.

For manual setting, refer to the next page.

The function of each memory switch is shown in the following table.

(The **white-on-black characters** are factory setting.)

Switch No.	Setting	0 (OFF)	1 (ON)
Memory SW1-1	Power ON Info	Valid	Not send
SW1-2	Buffer Size	4k bytes	45 bytes
SW1-3	Busy Condition	Full/Err	Full
SW1-4	Receive Error	Print "?"	No Print
SW1-5	CR mode	Ignored	LF
SW1-6	Reserved	Fixed	-
SW1-7	DSR Signal	Invalid	Valid
SW1-8	Init Signal	Invalid	Valid
Memory SW2-1	Reserved	-	Fixed
SW2-2	Auto Cutter	Invalid	Valid
SW2-3	Spool Print	Invalid	Valid
SW2-4	Full Col Print	LineFeed	WaitData
SW2-5	Resume aft PE	Next	Top
SW2-6	Reserved	Fixed	-
SW2-7	Reserved	Fixed	-
SW2-8	PNE Sensor	Valid	Invalid
Memory SW3-1	Resum Ctrr Err	Valid	Invalid
SW3-2	Reserved	Fixed	-
SW3-3	Parallel 31 Pin	Valid	Invalid
SW3-4	Reserved	Fixed	-
SW3-5	Reserved	Fixed	-
SW3-6	Reserved	Fixed	-
SW3-7	CBM1000 Mode	Invalid	Valid
SW3-8	Resum Open Err	Close	Command
Memory SW4-1 *3	P. Length Set	Auto Measure	Command
SW4-2 *3	Power on TOF	Invalid	Valid
SW4-3	Feed&Cut at TOF	Invalid	Valid
SW4-4 *3	Paper Select *1	Thermal Roll	BM.P / Lbl.P
SW4-5	Position detect *2	Black Mark	Label
SW4-6	Reserved	Fixed	-
SW4-7	Reserved	Fixed	-
SW4-8	Prtial Only	Invalid	Valid
Memory SW5-1	Buzzer	Valid	Invalid
SW5-2	Line Pitch	360	406
SW5-3	USB Mode	Virtual COM	Printer Class
SW5-4	Reserved	Fixed	-
SW5-5	Power OFF Info	Invalid	Valid
SW5-6	Reserved	Fixed	-
SW5-7	Reserved	Fixed	-
SW5-8	Reserved	Fixed	-

Notes:

\*1: The factory setting of "Paper Select" will be different, depending on the model classification.

\*2: In the case of selecting the thermal roll with the SW4-4, the SW4-5 will not be available. The SW4-5 will be set to "Black Mark" status for the Black Mark version printer.

\*3: The SW4-1,4-2, 4-4, and 4-5 are available for the Black Mark version printer only.

Switch No.	Setting	Default	Set Values
Memory SW7-1	Baud Rate	19200 bps/ 9600 bps**	1200 bps, 2400 bps, 4800 bps, 9600 bps, 19200 bps, 38400 bps, 57600 bps, 115200 bps
SW7-2	Data Length	8Bits	7Bits, 8Bits
SW7-3	Stop Bit	1Bit	1Bit, 2Bits
SW7-4	Parity	NONE	NONE, EVEN, ODD
SW7-5	Flow Control	DTR/DSR	DTR/DSR, XON/XOFF
SW7-6	DMA Control	Valid	Valid, Invalid
SW7-7	VCom Protocol	PC Setting	PC Setting, DTR/DSR, XON/XOFF
Memory SW8-1	Print Width	832dots	832dots(69 col.), 720dots(60col.), 660dots(55col), 576dots(48col.), 512dots(42col)
SW8-2	Paper Type	1 Color Normal	1 Color Normal, 2 Color Normal
Memory SW9-1	Code Page	PC437	PC437/Katakana/PC850,858/PC860/PC863/ PC865/PC852/PC866/PC867/WPC1252/PC864/ Thai Code 18
Memory SW9-2	Int'Char Set	USA	USA, France, Germany, England, Denmark, Sweden, Italy, Spain, Japan, Norway, Denmark 2, Spain 2, Latin America, Korea Croatia, China
Memory SW9-3*	Kanji	OFF	ON, OFF
SW9-4*	JIS/Shift JIS	JIS	JIS, Shift JIS
Memory SW10-1	Print Density	100%	70%, 75%, 80%, 85%, 90%, 95%, 100%, 105%, 110%, 115%, 120%, 125%, 130%, 135%, 140%
SW10-2	Print Speed	Level 9	Level 1, Level 2, Level 3, Level 4, Level 5, Level 6, Level 7, Level 8, Level 9
SW10-3	ACK Timing	Before Busy	Before Busy, Same Period, After Busy
SW10-4	NV User	192K bytes	1K bytes, 64K bytes, 128K bytes, 192K bytes
SW10-5	NV Graphic	384K bytes	0 byte, 64K bytes, 128K bytes, 192K bytes, 256K bytes, 320K bytes, 384K bytes

\* In this printer, Memory Switches 9-3 and 9-4 are not usable.

\*\* For USA version.

## Manual Setting of Memory Switch (Memory SW)

The memory switch can be selected, changed, or written by the combination of three actions: pressing the FEED button, pressing and holding the FEED button, and opening or closing the printer cover.

### 1. Entering memory switch setting mode.

Set paper in the printer and keep the printer cover open. With the FEED button pressed and held, turn the printer power on, and then press the FEED button twice. Close the cover. If the current settings of the memory switch etc. are printed, the printer is now in the memory switch setting mode.

Memory SW (1) 00000000	0: OFF state 1: ON state
------------------------	-----------------------------

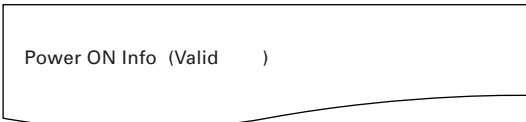
(No indication for 0/1 with memory switch SW7 through SW10)

2. Selecting memory switch (MEMORY SWITCH SELECT MODE)

When the FEED button is pressed short (\*1), printing occurs in the order of "Memory SW1" → "Memory SW2" → "Memory SW3" → ..... "Memory SW10" → "Save To Memory" → "Memory SW1" → ..... repeatedly. When the memory switch you want to change is reached, press and hold the FEED button (for more than 2 seconds).

3. Selecting each switch item

3-8 items are provided for setting in each switch. By pressing and holding the FEED button long (\*2), the printer goes to the next item and prints the current setting of the item. Repeat pressing and holding until the item you want to change is reached.



OFF state: ERROR LED OFF  
ON state: ERROR LED ON

(With memory switch 7-10, ERROR LED goes on only at the factory setting.)

4. Changing the setting

When the item you want to change is printed, press the FEED button short (\*1). The changed set value is printed. (When the change of the set value is repeated, the original set value is recovered). When you press the FEED button long (\*2), the set value is accepted and then the printer goes to the next setting item.

5. Returning to the MEMORY SWITCH SELECT MODE (the above Item 2)

When the setting of the desired content is completed, open the printer cover and then close the printer cover. This allows the printer to print the setting of the changed memory switch.

6. Saving the setting and exiting the memory switch setting mode

Press the FEED button short (\*1) to move to "Save To Memory". Then press and hold the FEED button. The printer prints the contents of new setting and exits the memory switch setting mode to return to the normal standby state.

\* Unless saving the setting is executed, the changed setting cannot be enabled.

7. Initializing the memory switch

When you want to return the memory switch setting to the initial state, go to "Save To Memory" in the above procedure. Here, open the printer cover and press and hold the FEED button till buzzer sounds. This allows the printer to return to the initial state.

\* All the memory switches settings are returned to the factory set values.

\*1: Press for less than 2 seconds \*2: Press for more than 2 seconds

# **CITIZEN SYSTEMS JAPAN CO., LTD.**

6-1-12, Tanashi-cho, Nishi-Tokyo-shi Tokyo, 188-8511, Japan

Tel: +81 (0) 424 68 4608 Fax: +81 (0) 424 68 4997

<http://www.citizen-systems.co.jp>

TA74902-00F

X.XXE-0609

Printed in Japan